

Product shown with optional meter.



Morningstar's **ProStar** is the world's leading mid-range solar controller for both professional and consumer applications. This second generation ProStar:

- Adds new features and protections using highly advanced technology
- Provides longer battery life and improved system performance
- Sets new standards for reliability and self-diagnostics

Standard Features:

- Versions available: 15 amp
12 / 24 volt
- Estimated 15 year life
- PWM series battery charging (not shunt)
- 3-position battery select: gel, sealed or flooded
- Very accurate control and measurement
- Jumper to eliminate telecom noise
- Parallel for up to 300 amps
- Temperature compensation

- Tropicalization: conformal coating, stainless-steel fasteners & anodized aluminum heat sink
- No switching or measurement in the grounded leg
- 100% solid state
- Very low voltage drops
- Current compensated low voltage disconnect (LVD)
- LED's indicate battery status and faults
- Capable of 25% overloads
- Remote battery voltage sense terminals

Electronic Protections:

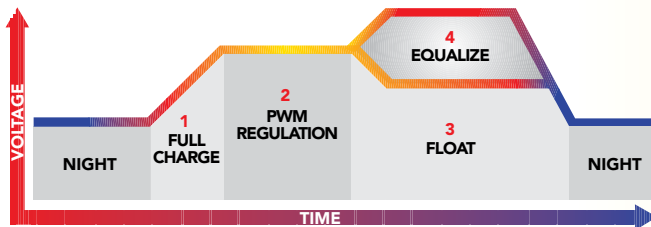
- Short-circuit — solar and load
- Overload — solar and load
- Reverse polarity
- Reverse current at night
- High voltage disconnect
- High temperature disconnect
- Lightning and transient surge protection
- Loads protected from voltage spikes
- Automatic recovery with all protections

ProStar Options:

- Digital meter
 - Highly accurate voltage and current display
 - Low self-consumption (1 mA)
 - Includes manual disconnect button
 - Displays 5 different protection functions and disconnect conditions
 - Self-diagnostics (self-test) provides a comprehensive test of the ProStar —
 - Displays 9 different controller status parameters, including temperature
 - Displays detected faults
- Remote temperature probe

Optimized Battery Charging:

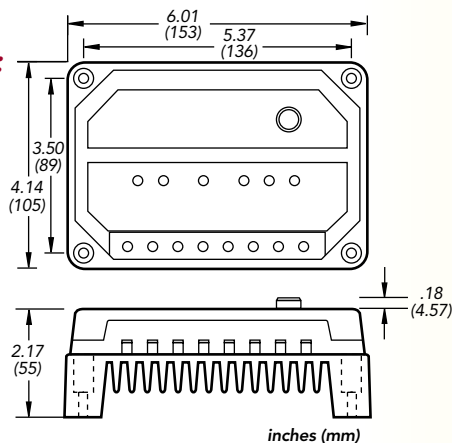
The ProStar has 4 stages of charging to provide increased battery capacity and life.



Mechanical Specifications:

Weight:
12 oz
(0.34 kg)

Wire Size:
#6 AWG
(16 mm²)



ProStar Versions:

	PS-15
Rated Solar Current	15A
Rated Load Current	15A
System Voltage	12/24V
Options:	
Digital Meter	yes
Positive Ground	no
Remote Temp. Probe	yes

Battery Voltage Setpoints*

	Gel
Regulation Voltage	14.0
Float	13.7
Equalization	n/a
Load Disconnect	11.4
Load Reconnect	12.6

Note: values are for 12V. Use 2X for 24V and 4X for 48V.

Electrical Specifications:

	12V	24V
Temp. Comp. (mV/°C)*	- 30mV	- 60mV
Accuracy	40mV	60mV
Min. voltage to operate	8V	8V
Self-consumption	22mA	25mA
LVD current coefficient**	- 20mV	- 40mV
Charge algorithm	PWM, constant voltage	
Operating temperature	- 40°C to + 60°C	
Digital Display:		
Operating temperature	- 30°C to + 85°C	
Voltage accuracy	0.5%	
Current accuracy	2.0%	
Self-consumption	1 mA	

* 25°C reference

** per amp of load

WARRANTY: Five year warranty period. Contact Morningstar or your authorized distributor for complete terms.

AUTHORIZED MORNINGSTAR DISTRIBUTOR:

ALPEN STEEL
www.alpensteel.com

MORNINGSTAR
corporation